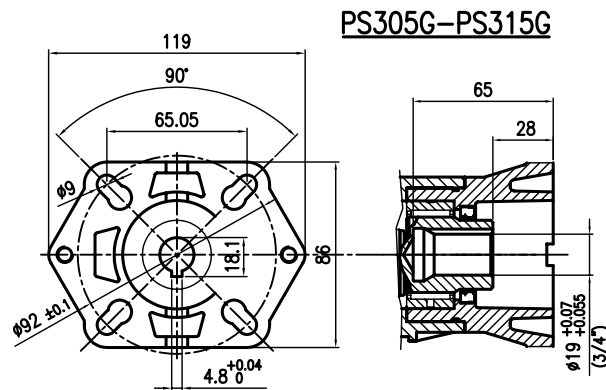
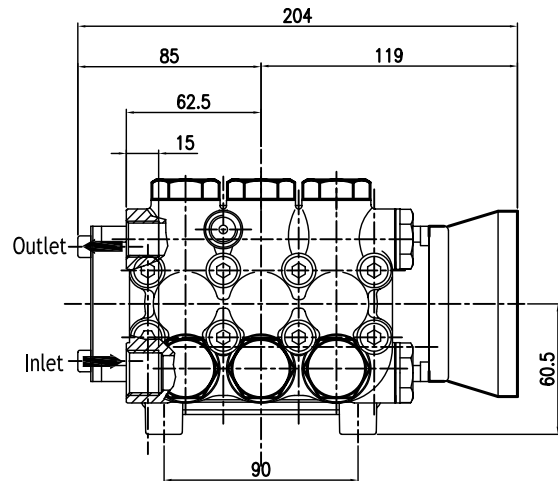
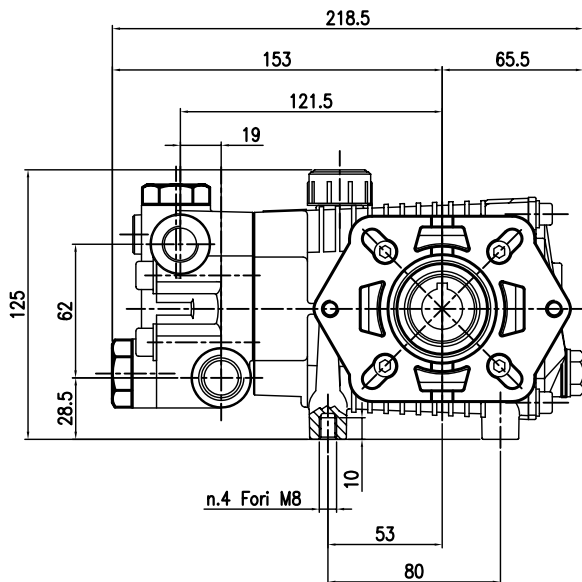


Pump Pompe Pumpen Pompa	Pressure Pression Druck Pressione		Volume Débit Leistung Portata		RPM tours/min u.p.m. giri/min	Required HP Puissance HP Leistung HP Potenza HP	Inlet port Entrée Eingang Aspirazione	Outlet Sortie Ausgang Mandata
	bar	PSI	l/min	GPM				
<b>PS305G</b>	200	3000	9.5	2.5	3400	5.0	G 1/2	G 3/8
<b>PS315G</b>	200	3000	11.4	3.0	3400	6.0	G 1/2	G 3/8

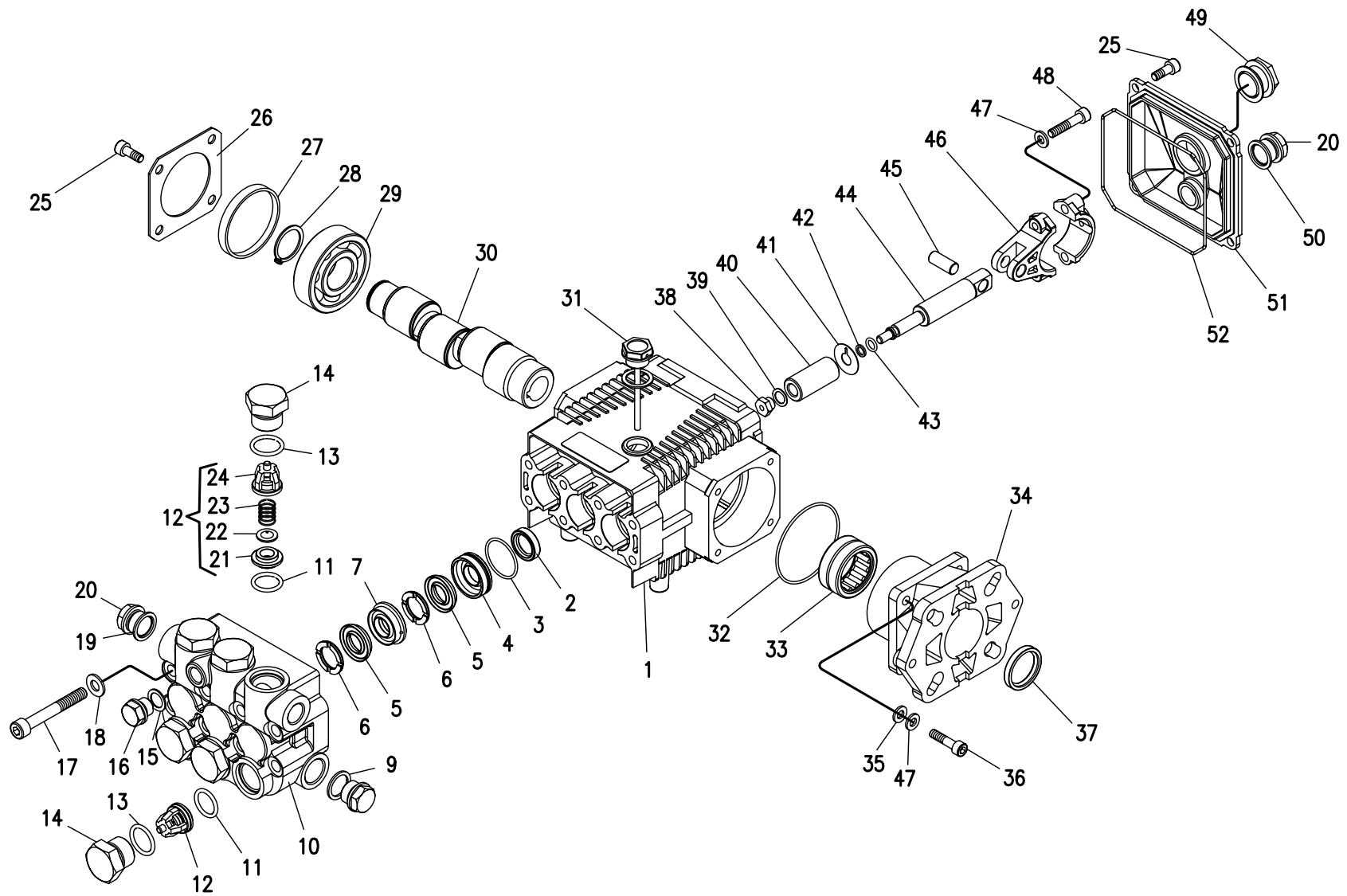
Dimensioni d' ingombro

Overall dimensions



Lubrificazione: Olio SAE 20/40W  
Capacità 0.4 Litri

Lubrication: SAE 20/40W Oil  
Capacity 0.4 Litri



HAWK pumps  
*PS G series*

PS305G  
 PS315G



# PS-G Series

## PARTS LIST

## LISTA PARTI

Pos. Item	Codice Part Number	Description	Descrizione	Q.tà per ogni Pompa Q.ty for each Pump	PS305G	PS315G
25	1801.12	Screw	Vite M6x16	8		
26	0203.18	Bearing cover	Coperchio cuscinetto	1		
27	0205.02	Bearing seal	Cappellotto cuscinetto	1	■	■
28	1500.03	Snap ring	Anello Ø25	1		
29	0213.00	Ball bearing	Cuscinetto a sfere	1		
30	0004.98	Crankshaft	Albero eccentrico	1	■	
	0004.99	Crankshaft	Albero eccentrico	1		■
31	1600.12	Oil dip stick	Tappo livello olio	1		
32	0601.83	"O" Ring Ø3.53x55.56	"O" Ring Ø3.53x55.56	1		
33	0200.11	Needle Bearing	Cuscinetto NKS35	1		
34	0500.96	Engine Flange	Flangia motore	1		
35	1400.02	Washer	Rosetta Ø6,5	4		
36	1801.26	Flange screw	Vite M6x22	4		
37	0001.05	Crankshaft seal	Anello radiale	1		
*38	0302.11	Plunger nut	Dado pistone	3		
*39	1400.06	Copper spacer	Rosetta Ø 9,2/13,5x0,5	3		
*40	1200.23	Plunger 15mm	Pistone Ø15	3		
*41	1400.27	Copper spacer	Rosetta rame	3	■	■
*42	0601.30	"O" Ring Ø1.78x5.28	"O" Ring Ø1.78x5.28	3		
*43	0009.13	Teflon ring	Anello antiestrusione	3		
*44	0003.20	Plunger rod	Asta pistone	3		
*45	1502.04	Connecting rod pin	Spinotto	3		
*46	0100.08	Connecting rod	Biella completa	3		
*47	1401.02	Spring washer	Rosetta elastica Ø6	10		
*48	1801.32	Connecting rod screw	Vite M6x30	6		
49	0700.05	Sight glass	Spia livello olio G3/4	1		
50	0603.02	Gasket	Guarnizione G3/8	1		
51	0203.52	Crankcase cover	Coperchio	1		
52	0601.04	"O" Ring Ø2.62x107.62	"O" Ring Ø2.62x107.62	1		

  Part available  
in kit only

**Particolare disponibile  
solo in kit**

  Part available  
in kit also

**Particolare disponibile  
anche in kit**